

Ring light series ER1D0x20

LED ring light, Ø130mm, M12-connector 5-pin, IP54, aluminum+PMMA



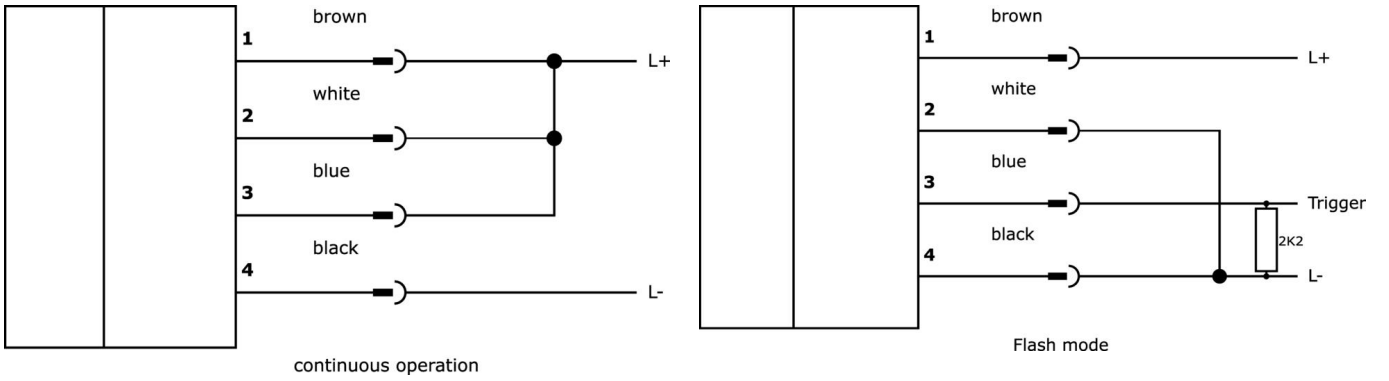
High light output due to High Power LED`s

Selecting the right illumination is essential for all types of inspection tasks with a camera sensor, as only high-contrast images can be reproducibly evaluated. And illumination has a decisive influence here. The selection depends on various factors such as the distance to the test object, its size, the component criterion to be tested or the expected environmental conditions. Ring lights provide a direct, focused incident light that is particularly suitable for round test objects as it does not produce any hard object shadows.

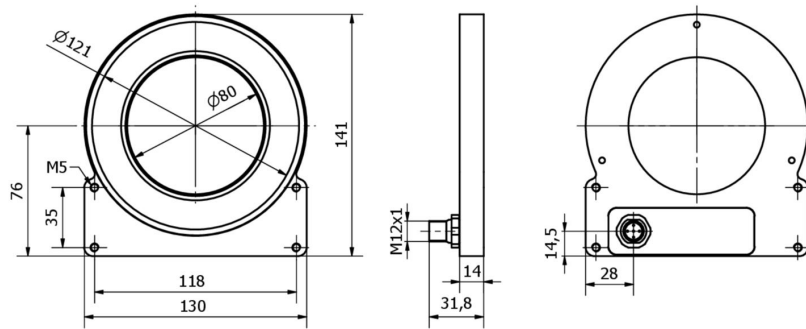
Lights are available with different diameters of the lens aperture, different light colors and outputs. The internal flash controller enables flash operation of the lights up, which may be required for short exposure times of the camera systems.

| Article No. | ER1D0120 | ER1D0720 | ER1D0I20 |
|-------------------------------|---|-------------------------|----------------|
| ardSOCA_Abmessungen | 141x130x14mm | | |
| Inner diameter | 80 mm | | |
| ardSOCA_Betriebsspannung | 23-25VDC | | |
| Rated operating current | 900 mA | 900 mA | 1200 mA |
| Power | 16 W | 12 W | 9 W |
| Protection class | III | | |
| Operational mode | Flash operation Permanent operation Switching operation | | |
| Angle of beam spread | 20 ° | | |
| Working distance range | 250 - 750 mm | | |
| Light source | White light | Polarity free red light | Infrared light |
| Wavelength of the sensor | | 625 nm | 850 nm |
| ardSOCA_ElektrischerAnschluss | M12 5-pin plug connector | | |
| Degree of protection (IP) | IP54 | | |
| Housing material | Aluminum | | |
| Front screen material | Polymethyl methacrylate | | |
| Ambient temperature | 10 - 30 °C | | |
| Risk group | 2 | 1 | 1 |

Connection



Dimensional drawing



Extract accessories program

AO000653



Accessories Optical, mounting bracket, 134x49x36mm, anodized aluminum

AO000654



Accessories Optical, mounting bracket, 130x66x61,5mm, anodized aluminum

VK200321



Connection cable, 2m, M12 Female (socket) 4pin Angular, Free conductor end, 4x0.34mm², PUR (Polyurethane), Ø4.7mm, 250V, -40-90°C, IP67, Suitable for trailing chain and torsion resistant, Oil and cooling lubricants, Welding area, Silicone-free

VK200325



Connection cable, 2m, M12 Female (socket) 4pin Straight, Free conductor end, 4x0.34mm², PUR (Polyurethane), Ø4.7mm, 250V, -40-90°C, IP67, Suitable for trailing chain and torsion resistant, Oil and cooling lubricants, Welding area, Silicone-free

AO000668



Accessories Optical, holder, plastic

VK06F003



Line for camera lighting in continuous operation on OC53 with internal flash controller, 0.6m, M8 connector 4-pin straight, M12 socket 4-pin straight, 4-wire

VK06F004



Line for camera lighting in flash mode on OC53 with internal flash controller, 0.6m, M8 connector 4-pin straight, M12 socket 4-pin straight, 4-wire

You can find further accessories on our homepage



Installation

Mounting / installation may only be carried out by a qualified electrician!



Disposal

WEEE number according to § 6 para. 3 ElektroG: 40951076

Safety warnings

/ Before initial operation, please make sure to follow all safety instructions that may be provided in the product information.

/ Never use these devices in applications where the safety of a person depends on their functionality.

/ LED lighting systems can generate intensive UV radiation, which can damage your eyes in case of improper use. The manufacturer cannot be held responsible for damages that result from improper use or connection.